

DS-2DE4220 Series

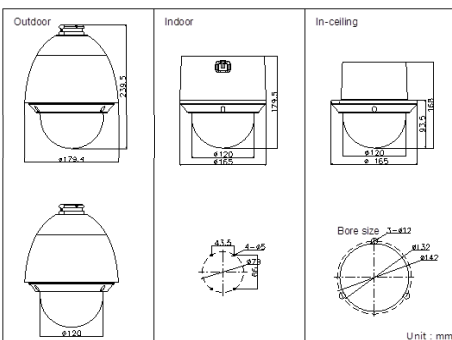
2 MP Network PTZ 4" Dome Camera



Key Features

- 1080p Full HD Real-Time Resolution
- 2 Megapixel High Resolution
- 20x Optical Zoom, 16x Digital Zoom
- True Day/Night, DWDR, 3D DNR
- Privacy Mask, Alarm Input/Output
- 3D Intelligent Positioning
- Compact Design

Dimensions



Accessories



Order Models

DS-2DE4220-AE, 24 VAC/PoE+, outdoor
 DS-2DE4220-AE3, 24 VAC/PoE, indoor

DS-2DE4220-AE/DS-2DE4220-AE3	
Camera	
Image Sensor	1/2.8" progressive scan CMOS
Max. Image Resolution	1920 (H) × 1080 (V)
Minimum Illumination	Color: 0.05 lux @ (f/1.6, AGC on), B/W: 0.01 lux @ (f/1.6, AGC on), (50 IRE)
White Balance	Auto/manual/ATW/indoor/outdoor/daylight lamp/sodium lamp
AGC	Auto/manual
S/N ratio	≥ 52 dB
Image Enhancement	3D DNR, BLC, digital WDR
Defog	Supported
Shutter Speed	1/1 to 1/10,000 s
Day/Night	IR cut filter
Digital Zoom	16x
Focus Mode	Auto/semiautomatic/manual
Privacy Mask	2 privacy masks programmable
Lens	
Focal Length	4.7 mm to 94 mm, 20x
Zoom Speed	Approximately 3 s (optical wide to tele)
Angle of View	58.3° to 3.2° (wide to tele)
Min. Working Distance	10 mm to 1000 mm (wide to tele)
Aperture Range	f/1.6 to f/3.5
Pan and Tilt	
Pan/Tilt Range	Pan: 360° endless; tilt: +5° to 90° (auto flip)
Pan/Tilt Speed	Pan manual speed: 0.1° to 160°/s, pan preset speed: 160°/s Tilt manual speed: 0.1° to 120°/s, tilt preset speed: 120°/s
Proportional Zoom	Rotation speed can be adjusted automatically according to zoom multiples
Number of Presets	256
Patrols	8 patrols, up to 32 presets per patrol
Park Actions	Pattern/pan scan/tilt scan/frame scan/panorama scan/random scan
Power-Off Memory	Supported
PTZ Position Display	On/off
Preset Freezing	Supported
Input/Output	
Audio Input/Output	1 mic/line in, 2 to 2.4 V[p-p]; output impedance: 1 K Ω, ±10%/1 output, line level, impedance: 600 Ω
Alarm Input/Output	1 input (0 to 5 VDC)/1 relay output, alarm response actions configurable
Alarm Triggers	Intrusion detection, line crossing detection motion detection, audio exception detection, dynamic analysis, tampering alarm, network disconnect, IP address conflict, storage exception
Alarm Actions	Preset, patrol, pattern, recording, relay output, upload center, upload FTP, e-mail linkage
Network	
Ethernet	10Base-T/100Base-TX, RJ-45 connector
Frame Rate	30 fps (1920 × 1080), 30 fps (1280 × 720)
Image Compression	H.264/MJPEG
SVC	Supported
ROI Encoding	Supports 2 areas with adjustable levels
Audio Compression	G.711u/G.711a/G.726/MP2L2
Protocols	IPv4/IPv6, HTTP, HTTPS, 802.1X, QoS, FTP, SMTP, UPnP, SNMP, DNS, DDNS, NTP, RTSP, RTP, TCP, UDP, IGMP, ICMP, DHCP, PPPoE
Simultaneous Live Views	20 users
Streams	Dual streams
SD Memory Card	Built-in microSD card slot, up to 128 GB, supports edge recording
User/Host Level	Up to 32 users, 3 levels: Administrator, Operator, User
Security	Three level user authentication, password authorization, HTTPS and SSH certificate, IEEE802.1X, basic and digest authentication, watermark, IP address filtering, log-in lockout
Integration	
Application Programming	Open-ended API, support ONVIF, PSIA, ISAPI, and CGI
Web Browser	IE 7+, Firefox 5.0+, Safari 5.02+
General	
Power	-AE: 24 VAC/PoE+ (802.3at), maximum 18 W; -AE3: 24 VAC/PoE (802.3af), maximum 12 W
Working Temperature	-AE: -30° C to 65° C (-22° F to 149° F); -AE3: -10° C to 50° C (14° F to 122° F)
Humidity	90% or less
Protection Level	IP66 (-AE), IK8 (-AE and AE3)
Dimensions	Φ179.4 × 239.5 mm (Φ7.06" × 9.43") (outdoor) Φ165 × 179.5 mm (Φ6.50" × 7.07") (ceiling) Φ165 × 168 mm (Φ6.50" × 6.61") (in-ceiling)
Weight	Approximately 2 Kg (4.41 lbs)

NOTE: Indoor models support ceiling and in-ceiling mount.