

DS-2AE5158/5154(N) series

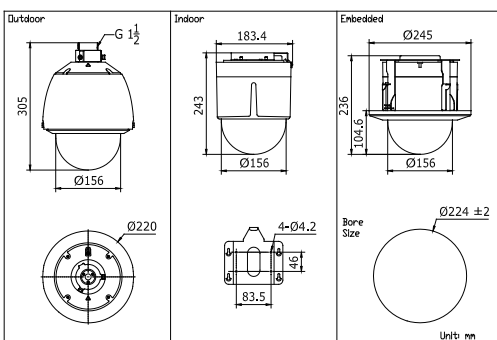
540TVL PTZ Dome Camera



Key features

- 1/4" Sony CCD
- 540TVL horizontal resolution
- 36X / 23X optical zoom, 16X digital zoom
- True Day/Night, Digital WDR
- 3D intelligent positioning

Dimensions



Accessories



DS-1601ZJ DS-1601ZJ-corner DS-1601ZJ-pole DS-1634ZJ

Available models

DS-2AE5158-A: PAL, 24VAC, outdoor
 DS-2AE5158N-A: NTSC, 24VAC, outdoor
 DS-2AE5158-A3: PAL, 24VAC, indoor
 DS-2AE5158N-A3: NTSC, 24VAC, indoor

DS-2AE5154-A: PAL, 24VAC, outdoor
 DS-2AE5154N-A: NTSC, 24VAC, outdoor
 DS-2AE5154-A3: PAL, 24VAC, indoor
 DS-2AE5154N-A3: NTSC, 24VAC, indoor

	DS-2AE5158(N)-A(3)	DS-2AE5154(N)-A(3)
Camera		
Image Sensor	1/4" Sony CCD	
Effective Pixel	PAL:752(H)×582(V), NTSC:768(H)×494(V)	
Horizontal Resolution	Color: 540 TVL, B/W: 600 TVL	
Min.Illumination	Color: 0.1Lux@(F1.6,AGC on), B/W: 0.01Lux@(F1.6,AGC on)	
White Balance	Auto / Manual / ATW / Indoor / Outdoor	
AGC	Auto / Manual	
S / N Ratio	≥ 50dB	
Shutter Speed	PAL: 1 ~1/10,000s, NTSC: 1 ~1/10,000s	
Digital Noise Reduction	3D DNR	
Wide Dynamic Range	Digital WDR	
Day & Night	IR Cut Filter	
Digital Zoom	16X	
Privacy Masking	8 privacy masks programmable, optional multiple colors and mosaics	
Focus Model	Auto / Semiautomatic / Manual	
Lens		
Focal Length	3.4 ~122.4mm, 36X	3.84 ~88.32mm, 23X
Zoom Speed	Approx 5.4s(Optical Wide-Tele)	Approx 3.0s(Optical Wide-Tele)
Angle of View	57.8 ~1.7degree(Wide-Tele)	50.2 ~2.44degree(Wide-Tele)
Min. Working Distance	10 ~1000mm (Wide-Tele)	10 ~1500mm (Wide-Tele)
Aperture	F1.6 ~F4.5	F1.6
Pan and Tilt		
Pan and Tilt Range	Pan: 360° endless; Tilt: -5°~90° (Auto Flip)	
Pan and Tilt Speed	Pan Manual Speed: 0.1°~250°/s, Pan Preset Speed: 300°/s Tilt Manual Speed: 0.1° ~150°/s, Tilt Preset Speed: 200°/s	
Proportional Zoom	Rotation speed can be adjusted automatically according to zoom multiples	
Number of Preset	255	
Patrol	8 patrols, up to 32 presets per patrol	
Pattern	4 patterns, with the total recording time not less than 10 minutes	
Power-off Memory	Support	
Park Action	Preset / Patrol / Pattern / Pan scan / Tilt scan / Frame Scan / Random scan / Panorama scan	
PTZ Position Display	Support	
Compass	Support , the north can be set	
Scheduled Task	Preset / Patrol / Pattern / Pan scan / Tilt scan / Frame Scan / Random scan / Panorama scan / Day / Night	
Input/ Output		
Video Output	1.0 V[p-p] / 75Ω, PAL / NTSC composite, BNC	
General		
RS-485 Protocols	HIKVISION, Pelco-P, Pelco-D, self-adaptive	
Power	-A: 24 VAC, max. 20W -A3: 24 VAC, max.12W	
Working Temperature	-A: -30°C ~ 65°C(-22°F ~ 149°F) -A3: -10°C~50°C(14°F ~ 122°F)	
Humidity	90% or less	
Protection Level	IP66 (outdoor dome) TVS 4,000V lightning protection, surge protection and voltage transient protection IK10 (optional)	
Dimensions	Φ220 × 305mm (Φ8.66" × 12.00")(Outdoor) Φ183.4 × 243mm(Φ7.22" × 9.56") (Ceiling) Φ245 × 236mm(Φ9.65" × 9.29") (In-ceiling)	
Weight	Approx. 5Kg (11.02lbs)	
Mount Option(for outdoor models)	Long-arm wall mount: DS-1601ZJ; Pole Mount: DS-1601ZJ-pole;	Corner mount: DS-1601ZJ-corner; Power box mount:DS-1634ZJ

NOTE: Indoor models support ceiling and in-ceiling mount.